

# DG1400

## Range

The DG1400 glazed in ventilator with its fixed open area and wool pile seals is designed as a severe weather rated glazed-in vent, ideal for high rise and exposed locations.



### FEATURES

**14000mm<sup>2</sup>/M**

**Fully** controllable ventilation.

Provides **specified fixed open areas** irrespective of glazing widths.

**Natural upward deflection.**

**Severe weather rated.**

**Thermally improved.**

### OPTIONS



**Knob control**



**Cord control**



**Rod control**



**Readymade sizes**

### COLOUR OPTIONS

**All White**

**All Black**

Body **White** / Hood **Black**

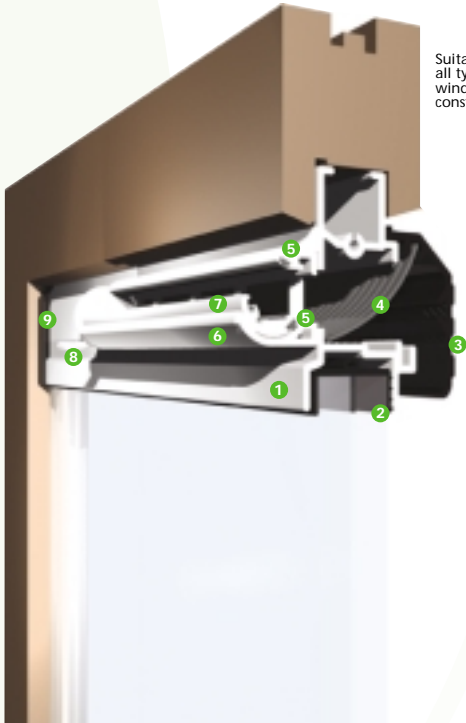
Body **Black** / Hood **White**

**Mill** finish body

**Bespoke** colours

# DG1400 : DATA SHEET

Range



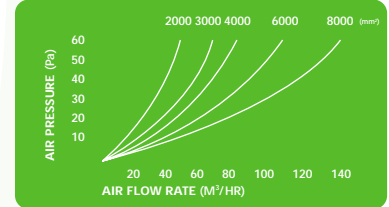
Suitable for all types of window frame construction.

- 1 VENT BODY
- 2 BUBBLE SEAL GASKET
- 3 HOOD SECTION
- 4 INSECT GRILLE
- 5 WOOL PILE SEALS
- 6 MODULAR BODY SECTION
- 7 MODULAR ROTARY SECTION
- 8 CONTROL LEVER
- 9 ENDCAP

## UNIT SIZES

Available in 20, 24 or 28mm

AIR FLOW RATES - MODULAR LENGTH VENT FULLY OPENED



For illustration purposes only

OPEN AREA	MIN. GLAZING WIDTH (KNOB)	MIN. GLAZING WIDTH (CORD)	MAX. GLAZING WIDTH (KNOB)	MAX. GLAZING WIDTH (CORD)
3000mm <sup>2</sup>	325mm	401mm	400mm	470mm
4000mm <sup>2</sup>	401mm	471mm	550mm	620mm
6000mm <sup>2</sup>	551mm	621mm	700mm	770mm
8000mm <sup>2</sup>	701mm	771mm	850mm	850mm
4000mm <sup>2</sup> x2	851mm	851mm	1220mm	1220mm

## GLASS HEIGHT REDUCTION (GUIDE ONLY)

For the 20mm and 24mm options the normal glass height reduction is 65mm for a 15mm rebate to give a 12mm maximum glazing depth. If the rebate exceeds 15mm then the glass height should be reduced in proportion.  
(eg. 22mm rebate = 72mm reduction.)

The 28mm option may differ due to the increased length of 5mm to the ventilator head. This allows for greater penetration into the window rebate without necessarily increasing the glass reduction.

## AIR FLOW

Air flow rates for each of the DG1400 modular sizes are shown in the graph above.

The chart indicates the modular sizes available (3, 4, 6 and 8000mm<sup>2</sup> open area) along with the minimum and maximum glazing widths.

## ACOUSTICS

Under normal conditions the DG1400 achieved a Sound Reduction (R,w) of:  
**normal operational mode, (fully open) - 35db**  
closed position - 40db

## SIZING GUIDELINES

Whilst the **Brookvent** range of Glazed-in window ventilators has been designed to suit all window systems, **Brookvent** strongly advise a test installation be carried out. This test should:

Check that the correct glass reduction applied.

Ensure that sufficient working clearance remains to successfully fit the glazing beads.

Please note that the overall ventilator width is usually the same as the glass unit width.

[www.brookvent.co.uk](http://www.brookvent.co.uk)

T 028 9061 6505

BROOKVENT is a division of **BROOK DESIGN HARDWARE LTD**  
Brook House, Dunmurry Industrial Estate, Dunmurry, Belfast BT17 9HU  
F 028 9061 6518 E [admin@brookvent.co.uk](mailto:admin@brookvent.co.uk)